

## Micro X-II



The Micro X-II tag is constructed to perform consistently in environments where reliability and safety cannot be compromised, thanks to Xerafy's unparalleled expertise in rugged tags.

The on-metal tag is ideally suited to harsh environments where its field-proven durability matches the life of assets in the field.



Versatile mounting techniques



Superior on-metal performance



Ceramic durability and reliability



IP68 rated



Hi-Temp and Caustic Chemicals



- Returnable Transport Items (RTIs) Management
- Automated Guided Vehicles (AGV) / Small Vehicle Management
- Waste Management

[LEARN MORE >](#)

### Performance Characteristics

Read range [handheld] <sup>1</sup>	Up to 22 ft (7 m)
Read range [fixed] <sup>1</sup>	Up to 32 ft (10 m)
Polarization	Linear
Mounting system	Screws (Rivet hole, M3) Pop rivets (Max size 2.4mm) Adhesive (optional)

*1. Performance based on standard testing methodologies. Performance may vary depending on environmental factors and reader output power.*

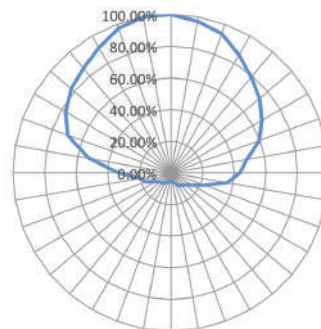
### Functional Specifications

RF protocol	EPC global Class 1 Gen2
Frequency	902-928 (US) ; 865-868 (EU)
IC type (chip) <sup>1</sup>	Alien Higgs-3
Memory <sup>2</sup>	96-EPC bits, 64-bit unique TID, 512 -bit user memory
Material	High-performance engineered polymer

*1. The chip data retention is up to 50 years, based on chip operating under general environment conditions.*

*2. EPC and User Memory can be re-programmed, password protected, or permanently locked. TID is locked and unique at the point of manufacturing.*

### Radiation Pattern



## Environmental Specifications

Operational temperature	-40°C to +85°C
Survival temperature	-40°C to +250°C
Chemical resistance	Various caustic chemicals <sup>1</sup>
IP rating	IP68
Compression strength	181 psi (1250 kPa)
Shock (drop)	3 ft (1 m) to concrete/granite
Vibration	MIL-STD-810G

1. The chemical resistance is based on the concentration of solutions and application environment. Please contact Xerafy for further details on chemical resistance.

## Industry Compliance

RoHS	EU Directive 2011/65/EU
CE	Yes
ATEX/IECEX	Compliant
Warranty	1 year

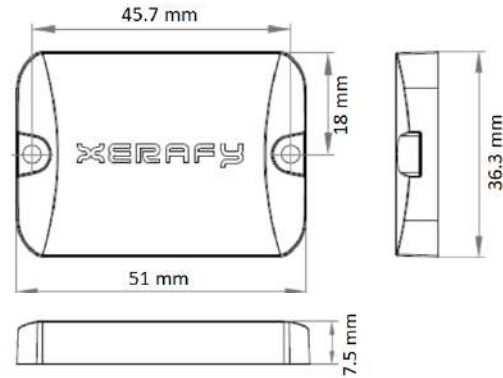
## Order Information

X1130-US100-H3	Micro X-II US
X1130-EU100-H3	Micro X-II EU
Optional service	Encoding / Printing / Laser etching

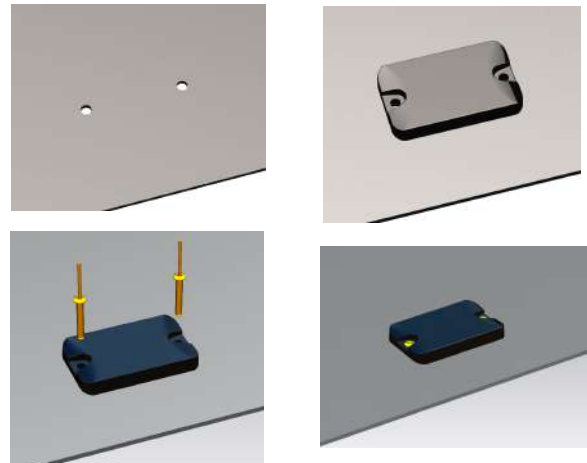


## Product Dimensions and Weight

Dimensions (in)	2.01 x 1.43 x 0.30
Tolerance	+/- 0.02
Dimensions (mm)	51 x 36.3 x 7.5
Tolerance	+/- 0.5
Weight	0.92 oz (26 g)



## Installation Instructions



Instructions for optimal performances:

1. Drill two holes on the subject metal surface.  
( $\varnothing$  4 mm, pitch: 45.7mm)
2. Insert two  $\varnothing$ 3.2mm (recommended size) rivets on the tag.
3. Fix the tag on the metal surface with a rivet gun.

\* Can also be attached via adhesive / epoxy.

### About Xerafy

Xerafy designs and manufactures the world's toughest RFID tags to power Industrial IoT applications in Aerospace, Oil & Gas, Automotive, Healthcare and Manufacturing.

For Product inquiries: [sales@xerafy.com](mailto:sales@xerafy.com)  
Singapore | China | US | UK

[GO TO WEBSITE >](#)